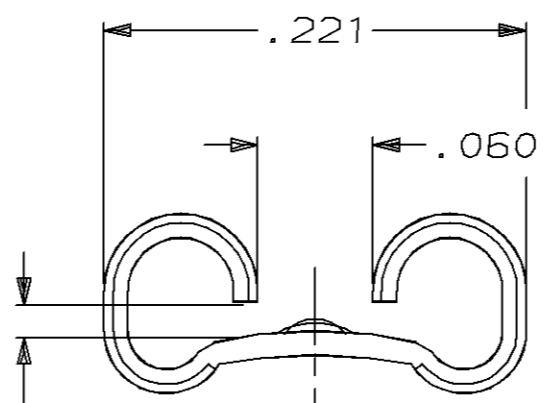
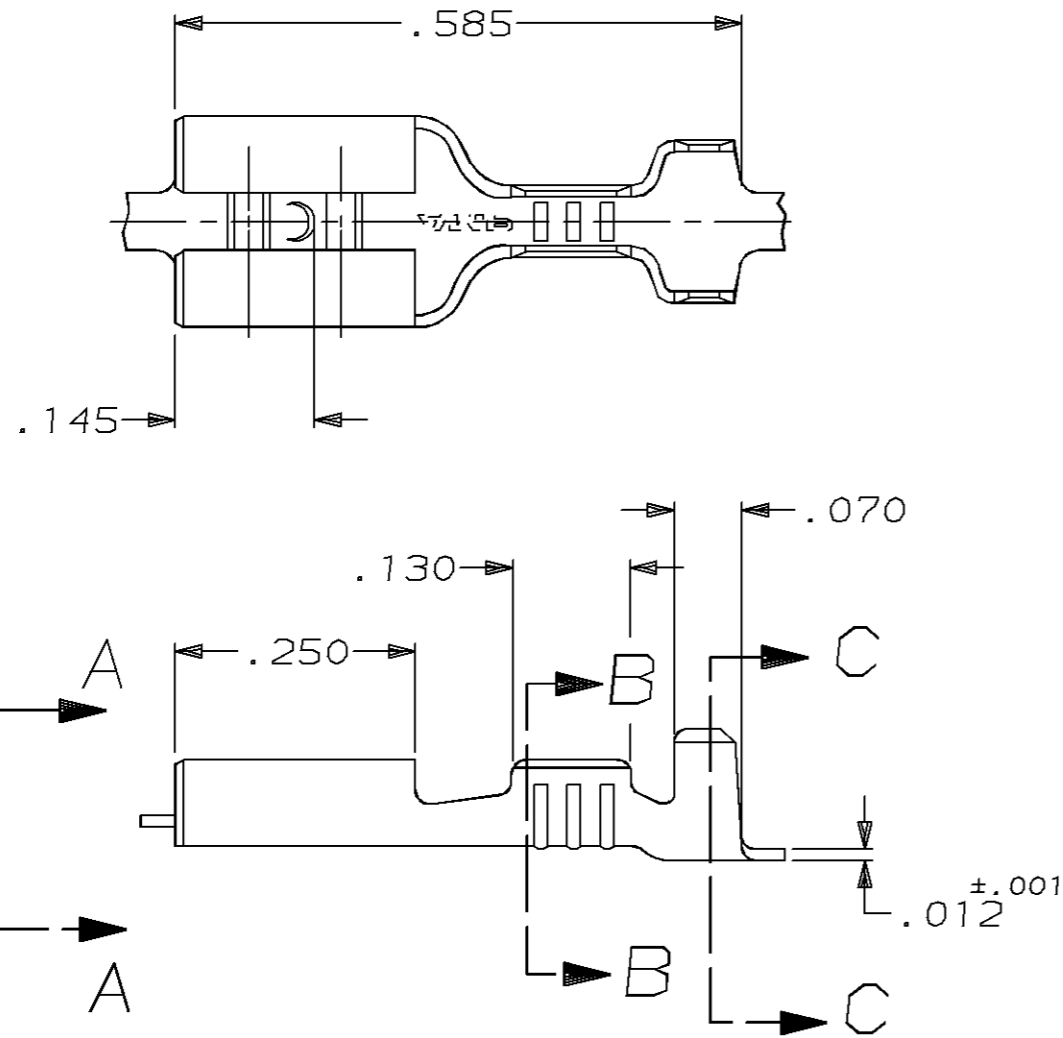
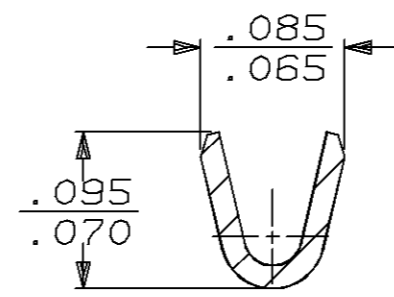


THIS DRAWING IS UNPUBLISHED. RELEASED FOR PUBLICATION, 19 .
 © COPYRIGHT 19 BY AMP INCORPORATED. ALL INTERNATIONAL RIGHTS RESERVED.

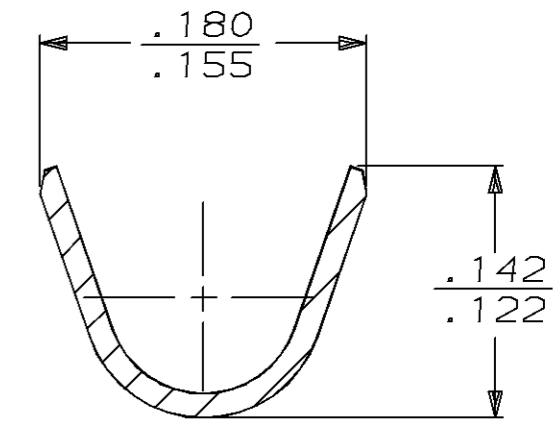
LOC	DIST	P	F	REVISIONS				
				ZONE	LTR	DESCRIPTION	DATE	APPD
AF	50				F	ADDED SWAGE PER 0710-0292-96	6/19/96	JR/DB



FITS .187 SERIES FASTON TABS
 VIEW A-A
 SCALE 8:1



SECTION B-B
 SCALE 10:1



SECTION C-C
 SCALE 10:1

1 CONTINUOUS STRIP ON REELS.

.060-.110 DIA	#24-20 AWG	.020	-	62138-2
			TIN	62138-1
INSULATION RANGE	WIRE SIZE	MATING TAB THK ±.001	FINISH	PART NO
DO NOT SCALE PRINT. UNLESS SPECIFIED DIMENSIONS IN mm [INCHES] TOLERANCES ON: 2 PLC DEC ± - 3 PLC DEC ± .015 ANGLES ± -	DR 8/15/91 JR RUTH CHK 8/15/91 MS FEHER APPD 8/15/91 C MEYERS APPD 8/15/91 D REINER PRODUCT SPEC -	AMP AMP Incorporated Harrisburg, PA 17105-3608 NAME RECEPTACLE, FASTON, .187 SERIES		
MATERIAL H04 BRASS	APPLICATION SPEC -	SIZE B	CAGE CODE 00779	DRAWING NO 62138
FINISH SEE TABLE	WEIGHT -	SCALE 5:1	SHEET 1 OF 1	